



**Preliminary**

# ExceLED Series ExceLED 25 & 50

Powerful 25 and 50 watt LED fixtures are ideal for broadcast or studio general accenting, key lighting or back lighting. They generate a concentrated beam of light with even coverage of 3200K light (5600K optional). Additional control achieved with gel frame, and barn door accessory options.

UL/CUL/CE Listing in process

## SPECIFICATION

**Housing:** Constructed of .063 formed aluminum then coated with black textured TGIC polyester coat finish.

**LED Cubes:** The 25 watt unit has (1) Cube with (9) LED optical modules and the 50 watt utilizes (2) Cubes with (9) LED optical modules in each. The concentrated beam provides an ultra bright, even coverage of 3200K light (5600K optional). 85 CRI.

**Electrical:** Units are 100 to 240 volts 50/60 Hz. The ExceLED 25 and ExceLED 50 draw 25 and 50 watts respectively. On-board power supply and integrated dimmer. Silent operation. Power entry on unit includes on/off switch. 50 watt unit has IEC connector.

**Mounting:** Provided with .125 welded aluminum yoke. Unit may rotate vertically through the yoke and horizontally through a pipe clamp for ease of focus, and may be locked into place.

### Fixture Includes:

- (1) LED Cube for 25 watt unit
- (2) LED Cubes for 50 watt unit
- 16' power cord with NEMA5-15 (3) prong plug
- (1) C-Clamp or 5/8" Stand Adapter (Specify One)

## LED

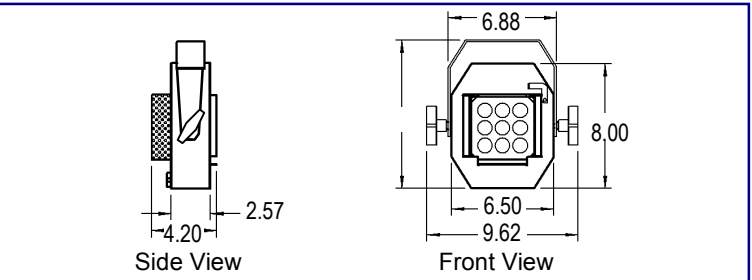
- (1) 25 watt Cube for 25 watt unit
- (2) 25 watt Cubes for 50 watt unit
- 3200K, (5600K optional)
- 40,000 Hours Life CRI: 85

## ACCESSORIES

<b>PART # - ExceLED 25</b>	<b>PART # - ExceLED 50</b>
BD-E025 Barn Door	BD-E050 Barn Door
GF-E025 Gel Frame	GF-E050 Gel Frame

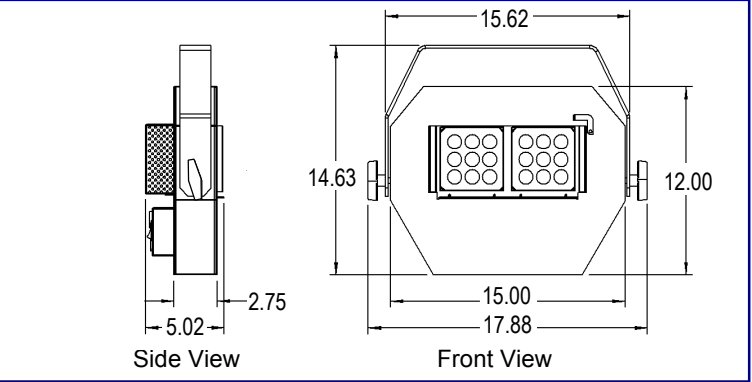
## PHOTOMETRICS\*

		DISTANCE		
4-10		9ft./2.7m	12ft/3.66m	16ft/4.88m
<b>MODEL E025-ND</b>				
NO ACCESSORIES	FC	551	296	175
	Lux	5932	3186	1884
	Beam Spread	26" Dia.	33" Dia.	45" Dia



**MODEL # for ExceLED 25**

E025-ND	Non Dim – 120v
E025-OB	On Board Dim – 120v & 240v
E025-DMX	DMX control with fixture. 120v & 240v
E025-D/PM	Phase Control – 120v



**MODEL # for ExceLED 50**

E050-ND	Non Dim – 100v thru 240v
E050-OB	On Board Dim – 120v & 240v
E050-DMX	DMX control within fixture. 120v & 240v
E050-D/PM	Phase Control – 120v

Measurements shown are inches (B.S.U.) Ref: 1"=2.54cm.

\* Light level readings were measured in foot-candles (fc) and converted to Lux using the conversion factor of 1 fc = 10.765 Lux. Values shown are light levels on centerline. Reference: Meter used – Minolta T-1 Illuminance meter. LEDs 3200K. Ambient temperature in test studio 75F ± 3F. Distance measurements converted to feet using 1ft = .305 m. Original photometric data on file at the factory.



**Adjustable  
Beam!**

## ExceLED Series ExceLED 100

### SYSTEM

Powerful 100 watt LED unit with adjustable beam spread. An adjustment knob at the back of the fixture easily rotates to move from spot thru flood mode and locks in place. Generates a concentrated beam of light with even coverage of 3200K light (5600K optional). Provides the long throw and high light levels required in large production studios, theaters and similar applications. Easily replaces 1000 watt fresnel fixtures. Additional control achieved with gel frame and barn door accessory options.

UL/CUL/CE Listing in process

### SPECIFICATION

**Housing:** Constructed of .063 formed aluminum then coated with black textured TGIC polyester coat finish.

**LED Cubes:** (4) Cubes with (9) LED optical modules in each, pivot from center to adjust the beam spread. The concentrated beam provides an ultra bright, even coverage of 3200K light (5600K optional). 85 CRI.

**Electrical:** Unit input is 100 to 240 volts 50/60 Hz. Draws 100 watt with on-board power supply and integrated dimmer. Silent operation. Power entry on unit includes on/off switch and IEC connector.

**Mounting:** Provided with .187 welded aluminum yoke. Unit may rotate vertically through the yoke and horizontally through a pipe clamp for ease of focus, and may be locked into place.

#### Fixture Includes:

- (4) LED Cubes
- 16' power cord with NEMA5-15 (3) prong plug
- (1) C-Clamp or 5/8" Stand Adapter (Specify One)

### LED

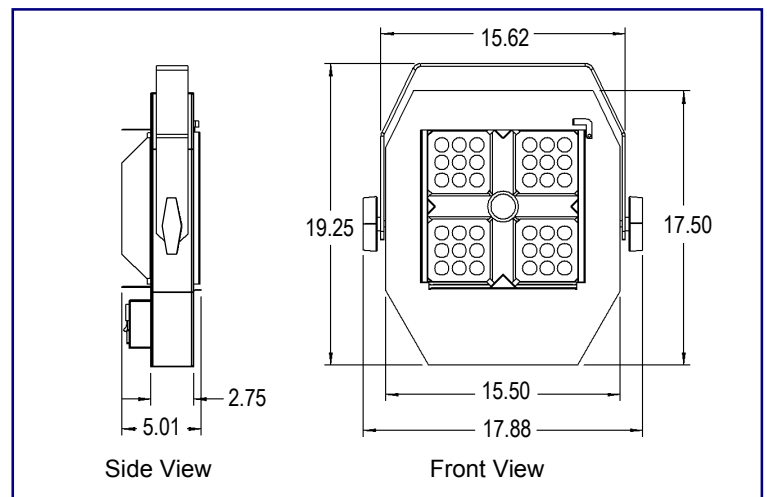
(4) 25 watt Cubes  
3200K, (5600K optional)  
40,000 Hours Life CRI: 85

### ACCESSORIES

#### PART # - ExceLED 100

BD-E100 Barn Door

GF-E100 Gel Frame



#### MODEL # for ExceLED 100

E100-ND	Non Dim – 100v thru 240v
E100-OB	On Board Dim – 120v & 240v
E100-DMX	DMX control within fixture. – 120v & 240v
E100-D/PM	Phase Control – 120v

Measurements shown are inches (B.S.U.) Ref: 1"=2.54cm.

### PHOTOMETRICS\*

		DISTANCE		
4-10		25ft./7.63m	35ft/10.68m	45ft/13.73m
MODEL E100-ND				
NO ACCESSORIES	FC	311	166	102
SPOT FOCUS	Lux	3348	1787	1098
	Beam Spread	5' Dia.	7' Dia.	9' Dia

\* Light level readings were measured in foot-candles (fc) and converted to Lux using the conversion factor of 1 fc = 10.765 Lux. Values shown are light levels on centerline. Reference: Meter used – Minolta T-1 Illuminance meter. LEDs 3200K. Ambient temperature in test studio 75F ± 3F. Distance measurements converted to feet using 1ft = .305 m. Original photometric data on file at the factory.

© 2010 VIDESSENCE