



**Adjustable
Beam!**

ExceLED Series ExceLED 100

SYSTEM

Powerful 100 watt LED unit with adjustable beam spread. An adjustment knob at the back of the fixture easily rotates to move from spot thru flood mode and locks in place. Generates a concentrated beam of light with even coverage of 3200K light (5600K optional). Provides the long throw and high light levels required in large production studios, theaters and similar applications. Easily replaces 1000 watt fresnel fixtures. Additional control achieved with gel frame and barn door accessory options.

UL/CUL/CE Listing in process

SPECIFICATION

Housing: Constructed of .063 formed aluminum then coated with black textured TGIC polyester coat finish.

LED Cubes: (4) Cubes with (9) LED optical modules in each, pivot from center to adjust the beam spread. The concentrated beam provides an ultra bright, even coverage of 3200K light (5600K optional). 85 CRI.

Electrical: Unit input is 100 to 240 volts 50/60 Hz. Draws 100 watt with on-board power supply and integrated dimmer. Silent operation. Power entry on unit includes on/off switch and IEC connector.

Mounting: Provided with .187 welded aluminum yoke. Unit may rotate vertically through the yoke and horizontally through a pipe clamp for ease of focus, and may be locked into place.

Fixture Includes:

- (4) LED Cubes
- 16' power cord with NEMA5-15 (3) prong plug
- (1) C-Clamp or 5/8" Stand Adapter (Specify One)

LED

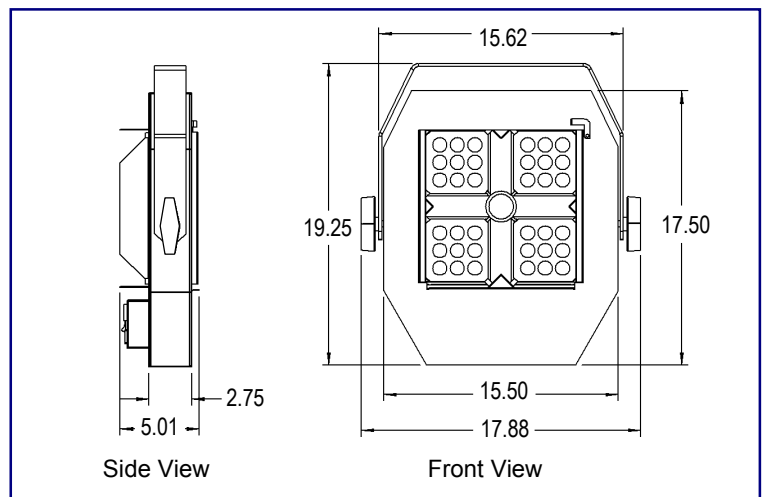
(4) 25 watt Cubes
3200K, (5600K optional)
40,000 Hours Life CRI: 85

ACCESSORIES

PART # - ExceLED 100

BD-E100 Barn Door

GF-E100 Gel Frame



MODEL # for ExceLED 100

| | |
|-----------|---|
| E100-ND | Non Dim – 100v thru 240v |
| E100-OB | On Board Dim – 120v & 240v |
| E100-DMX | DMX control within fixture. – 120v & 240v |
| E100-D/PM | Phase Control – 120v |

Measurements shown are inches (B.S.U.) Ref: 1"=2.54cm.

PHOTOMETRICS*

| | | DISTANCE | | |
|----------------|-------------|-------------|-------------|-------------|
| 4-10 | | 25ft./7.63m | 35ft/10.68m | 45ft/13.73m |
| MODEL E100-ND | | | | |
| NO ACCESSORIES | FC | 311 | 166 | 102 |
| SPOT FOCUS | Lux | 3348 | 1787 | 1098 |
| | Beam Spread | 5' Dia. | 7' Dia. | 9' Dia |

* Light level readings were measured in foot-candles (fc) and converted to Lux using the conversion factor of 1 fc = 10.765 Lux. Values shown are light levels on centerline. Reference: Meter used – Minolta T-1 Illuminance meter. LEDs 3200K. Ambient temperature in test studio 75F ± 3F. Distance measurements converted to feet using 1ft = .305 m. Original photometric data on file at the factory.

© 2010 VIDESSENCE